

## 50-A, 8-V to 14-V INPUT, NON-ISOLATED WIDE-OUTPUT ADJUST POWER MODULE



### FEATURES

- 50-A Output Current
- 8-V to 14-V Input Voltage
- Wide-Output Voltage Adjust (0.8 V to 5.5 V)
- Efficiencies up to 96%
- On/Off Inhibit
- Differential Output Sense
- Output Overcurrent Protection (Nonlatching, Auto-Reset)
- Overtemperature Protection
- Auto-Track™ Sequencing
- Start Up Into Output Prebias
- Margin Up/Down Controls
- Operating Temperature: –40°C to 85°C
- Multi-Phase, Switch-Mode Topology
- Programmable Undervoltage Lockout (UVLO)
- Safety Agency Approvals: UL/cUL 60950, EN60950, VDE

### APPLICATIONS

- Advanced Computing and Server Applications



NOMINAL SIZE = 2.05 in x 1.05 in  
(52 mm x 26,7 mm)



### DESCRIPTION

The PTH12040W is a high-performance 50-A rated, non-isolated, power module, which uses the latest multiphase switched-mode topology. This provides a small, ready-to-use module, that can power the most densely populated multiprocessor systems.

Operating from an input voltage range of 8 V to 14 V, the PTH12040W requires a single resistor to set the output voltage to any value over the range, 0.8 V to 5.5 V. The wide input voltage range makes the PTH12040W particularly suitable for advanced computing and server applications that utilize a loosely regulated 12-V intermediate distribution bus.

The modules incorporate a comprehensive list of features. They include on/off inhibit and margin up/down controls. A differential remote output voltage sense ensures tight load regulation, and an output overcurrent and overtemperature shutdown protect against most load faults. The programmable under-voltage lockout allows the turn-on and turn-off voltage thresholds to be customized.

The PTH12040W incorporates Auto-Track™. The Auto-Track feature of the PTH family allows the outputs of multiple modules to track a common voltage during power up and power down transitions. This simplifies power up and power down supply-voltage sequencing in a power supply system.

The modules use double-sided surface mount construction to provide a low profile and compact footprint. Package options include both through-hole and surface mount configurations.



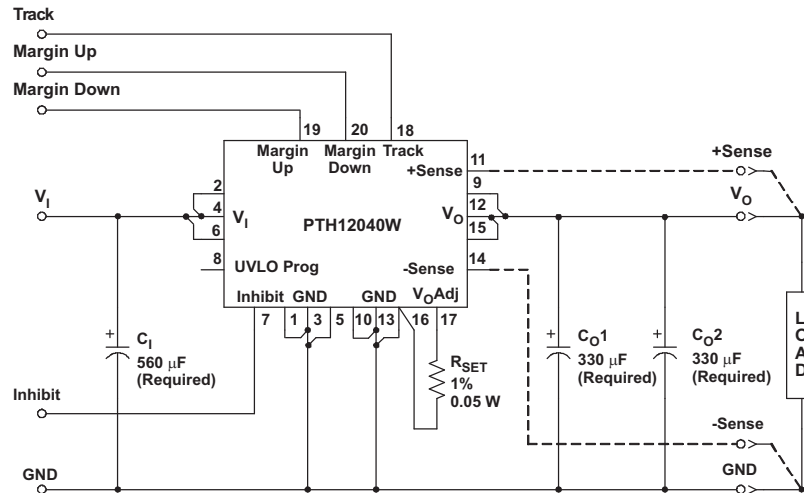
Please be aware that an important notice concerning availability, standard warranty, and use in critical applications of Texas Instruments semiconductor products and disclaimers thereto appears at the end of this data sheet.

Auto-Track, POLA, TMS320 are trademarks of Texas Instruments.



These devices have limited built-in ESD protection. The leads should be shorted together or the device placed in conductive foam during storage or handling to prevent electrostatic damage to the MOS gates.

### STANDARD APPLICATION



- A.  $R_{SET}$  = Required to set the output voltage higher than the minimum value (see the electrical characteristics for values.)
- B.  $C_I$  = Required 560-µF electrolytic capacitor. 1000 µF recommended.
- C.  $C_O$  = Required 660-µF (or 680 µF) electrolytic capacitor.

### ORDERING INFORMATION

For the most current package and ordering information, see the Package Option Addendum at the end of this datasheet, or see the TI website at [www.ti.com](http://www.ti.com).

## ABSOLUTE MAXIMUM RATINGS

over operating free-air temperature range (unless otherwise noted)

			UNIT
	Signal input voltages	Track control (pin 18)	–0.3 V to $V_I + 0.3$ V
$T_A$	Operating temperature range over $V_I$ range		–40°C to 85°C
$T_{\text{wave}}$	Wave solder temperature	Surface temperature of module body or pins ( <b>5 seconds</b> )	PTH12040WAH 260°C <sup>(1)</sup>
$T_{\text{reflow}}$	Solder reflow temperature	Surface temperature of module body or pins	PTH12040WAS 235°C <sup>(1)</sup>
			PTH12040WAZ 260°C <sup>(1)</sup>
$T_{\text{stg}}$	Storage temperature		–55°C to 125°C
	Mechanical shock	Per Mil-STD-883D, Method 2002.3, 1 msec, 1/2 Sine, mounted	500 G
	Mechanical vibration	Mil-STD-883D, Method 2007.2, 20–2000 Hz	15 G
	Weight		17 grams
	Flammability	Meets UL94V-O	

(1) During soldering of package version, do not elevate peak temperature of the module, pins or internal components above the stated maximum.

## ELECTRICAL CHARACTERISTICS

$T_A = 25^\circ\text{C}$ ,  $V_I = 12$  V,  $V_O = 3.3$  V,  $C_I = 1000$   $\mu\text{F}$ ,  $C_O = 660$   $\mu\text{F}$ , and  $I_O = I_{O\text{max}}$  (unless otherwise stated)

PARAMETER		TEST CONDITIONS	MIN	TYP	MAX	UNIT
$I_O$	Output current	60°C, 200 LFM airflow	0		50 <sup>(1)</sup>	A
$V_I$	Input voltage range	Over $I_O$ range	8 <sup>(2)</sup>		14	V
$V_{O\text{tol}}$	Set-point voltage tolerance				$\pm 2$ <sup>(2)</sup>	% $V_O$
$\Delta\text{Reg}_{\text{temp}}$	Temperature variation	–40°C < $T_A$ < 85°C		$\pm 0.5$		% $V_O$
$\Delta\text{Reg}_{\text{line}}$	Line regulation	Over $V_I$ range		$\pm 5$		mV
$\Delta\text{Reg}_{\text{load}}$	Load regulation	Over $I_O$ range		$\pm 5$		mV
$\Delta\text{Reg}_{\text{tot}}$	Total output variation	Includes set-point, line, load, –40°C $\leq T_A \leq$ 85°C			$\pm 3$ <sup>(2)</sup>	% $V_O$
$\Delta\text{Reg}_{\text{adj}}$	Output adjust range		0.8		5.5 <sup>(3)</sup>	V
$\eta$	Efficiency	$I_O = 35$ A	$R_{\text{SET}} = 205 \Omega$ , $V_O = 5.0$ V	96%		
			$R_{\text{SET}} = 1.5$ k $\Omega$ , $V_O = 3.3$ V	95%		
			$R_{\text{SET}} = 3.01$ k $\Omega$ , $V_O = 2.5$ V	93%		
			$R_{\text{SET}} = 4.99$ k $\Omega$ , $V_O = 2.0$ V	92%		
			$R_{\text{SET}} = 6.34$ k $\Omega$ , $V_O = 1.8$ V	91%		
			$R_{\text{SET}} = 9.76$ k $\Omega$ , $V_O = 1.5$ V	90%		
			$R_{\text{SET}} = 18.2$ k $\Omega$ , $V_O = 1.2$ V	88%		
			$R_{\text{SET}} = 38.3$ k $\Omega$ , $V_O = 1.0$ V	86%		
		$R_{\text{SET}} = \text{open circuit}$ , $V_O = 0.8$ V	82%			
$V_R$	$V_O$ ripple (pk-pk)	20 MHz bandwidth				All voltages 15 mVpp
$I_{O\text{trip}}$	Overcurrent threshold	Reset, followed by auto-recovery		95		A
$t_{\text{tr}}$	Transient response	1 A/ $\mu\text{s}$ load step, 50 to 100% $I_{O\text{max}}$ , $C_O = 660$ $\mu\text{F}$				
			Recovery time		70	
$\Delta V_{\text{tr}}$					150	mV
$V_{O\text{adj}}$	Margin up/down adjust	With Margin up/down control		$\pm 5\%$		
$I_{\text{ILmargin}}$	Margin input current	Pin to GND		–8 <sup>(4)</sup>		$\mu\text{A}$
$I_{\text{ILtrack}}$	Track input current (pin 18)	Pin to GND			–0.10 <sup>(5)</sup>	mA
$dV_{\text{track}}/dt$	Track slew rate capability	$ V_{\text{TRACK}} - V_O  \leq 50$ mV and $V_{\text{TRACK}} < V_{O(\text{nom})}$			1	V/ms

- (1) See SOA curves or consult factory for appropriate derating.
- (2) The set-point voltage tolerance is affected by the tolerance of  $R_{\text{SET}}$ . The stated limit is unconditionally met if  $R_{\text{SET}}$  has a tolerance of 1% with 100 ppm/°C or better temperature stability.
- (3) When the set-point voltage is adjusted higher than 3.6 V, a 10-V minimum input voltage is recommended.
- (4) A small, low-leakage (<100 nA) MOSFET is recommended to control this pin. The open-circuit voltage is less than 1 Vdc.
- (5) This control pin has an internal pull-up to 6.7 V. If left open-circuit, the module operates when input power is applied. A small, low leakage (<100 nA) MOSFET or open-drain/collector voltage supervisor IC is recommended for control. See the *Application Information* section for further guidance.

**ELECTRICAL CHARACTERISTICS (continued)**

$T_A = 25^\circ\text{C}$ ,  $V_I = 12\text{ V}$ ,  $V_O = 3.3\text{ V}$ ,  $C_I = 1000\ \mu\text{F}$ ,  $C_O = 660\ \mu\text{F}$ , and  $I_O = I_{O\text{max}}$  (unless otherwise stated)

PARAMETER		TEST CONDITIONS		MIN	TYP	MAX	UNIT
UVLO	Undervoltage lockout	Pin 8 open	On-threshold	7.5 <sup>(6)</sup>			V
			Hysteresis	1 <sup>(6)</sup>			
$V_{IH}$	Inhibit control (pin 7) Input high voltage	Referenced to GND		2.5	Open <sup>(7)</sup>		V
$V_{IL}$	Input low voltage			-0.2	0.5		
$I_{L\text{inhibit}}$	Input low current	Pin to GND		0.5			mA
$I_{\text{inh}}$	Input standby current	Inhibit (pin 7) to GND		35			mA
$f_s$	Switching frequency	Over $V_I$ and $I_O$ ranges		0.9	1.05	1.2	MHz
$C_I$	External input capacitance			560 <sup>(8)</sup>	1000		$\mu\text{F}$
$C_O$	External output capacitance	Capacitance value	Nonceramic	660 <sup>(9)</sup>		14000 <sup>(10)</sup>	$\mu\text{F}$
			Ceramic			400	
		Equivalent series resistance (non-ceramic)	2 <sup>(11)</sup>			$\text{m}\Omega$	
MTBF	Reliability	Per Bellcore TR-332 50% stress, $T_A = 40^\circ\text{C}$ , ground benign		2.5			10 <sup>6</sup> Hrs

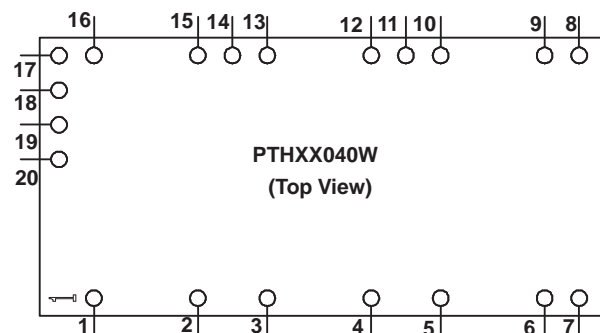
- (6) Default voltages may be adjusted using the *UVLO Prog* control input. See the *Application Information* section for further guidance.
- (7) This control pin has an internal pull-up to 5 V nominal. If it is left open-circuit, the module operates when input power is applied. A small, low-leakage (<100 nA) MOSFET is recommended for control. Do not place an external pull-up on this pin. For further information, see the related application note.
- (8) A minimum capacitance of 560- $\mu\text{F}$  is required at the input for proper operation. For best results, 1000  $\mu\text{F}$  is recommended. The capacitance must be rated for a minimum of 300 mArms of ripple current.
- (9) A minimum value of output capacitance is required for proper operation. Adding additional capacitance at the load further improves transient response.
- (10) This is the calculated maximum. The minimum ESR requirement often results in a lower value. See the *Application Information* section for further guidance.
- (11) This is the typical ESR for all the electrolytic (nonceramic) output capacitance. Use 4  $\text{m}\Omega$  as the minimum when using max-ESR values to calculate.

**DEVICE INFORMATION**

**TERMINAL FUNCTIONS**

TERMINAL		DESCRIPTION
NAME	NO.	
GND	1, 3, 5, 10, 13, 16	The common ground connection for the $V_I$ and $V_O$ power connections. It is also the 0 $V_{dc}$ reference for the control inputs.
$V_I$	2, 4, 6	The positive input voltage power node to the module, which is referenced to common GND.
$V_O$	9, 12, 15	The regulated positive power output with respect to the GND node.
Inhibit <sup>(1)</sup>	7	The Inhibit pin is an open-collector/drain negative logic input that is referenced to GND. Applying a lowlevel ground signal to this input disables the module's output and turns off the output voltage. When the Inhibit control is active, the input current drawn by the regulator is significantly reduced. If the Inhibit pin is left open-circuit, the module produces an output whenever a valid input source is applied.
$V_O$ Adjust	17	<p>A 1%, 0.05-W resistor must be connected between this pin and GND to set the output voltage higher than the minimum value. The set-point range for the output voltage is from 0.8 V to 5.5 V. The resistor required for a given output voltage may be calculated from the following formula. If left open circuit, the module output defaults to its lowest output voltage value. For further information on the adjustment and/or trimming of the output voltage, see the related Application Information section.</p> $R_{set} = 10 \text{ k}\Omega \times \frac{0.8 \text{ V}}{V_O - 0.8 \text{ V}} - 1.696 \text{ k}\Omega$ <p>The specification table gives the preferred resistor values for a number of standard output voltages.</p>
+Sense	11	The sense inputs allow the regulation circuit to compensate for voltage drop between the module and the load. For optimal voltage accuracy, +Sense should be connected to $V_O$ . If it is left open, a low-value internal resistor ensures that the output remains in regulation.
–Sense	14	For optimal voltage accuracy, –Sense should be connected to the ground return at the load. If it is left open, a low-value internal resistor ensures that the output remains in regulation.
UVLO Prog	8	Connecting a resistor from this pin to signal ground allows the <i>on</i> threshold of the input undervoltage lockout (UVLO) to be adjusted higher than the default value. The hysteresis can also be independently reduced by connecting a second resistor from this pin to $V_I$ . For further information, see the Application Information section.
Track	18	This is an analog control input that allows the output voltage to follow another voltage during power up and power down sequences. The pin is active from 0 V, up to the nominal set-point voltage. Within this range, the module output follows the voltage at the Track pin on a volt-for-volt basis. When the control voltage is raised above this range, the module regulates at its nominal output voltage. If unused, this input should be connected to $V_I$ for a faster power up. For further information, see the Application Information section.
Margin Down <sup>(1)</sup>	20	When this input is asserted to GND, the output voltage is decreased by 5% from the nominal. The input requires an open-collector (open-drain) interface. It is <b>not</b> TTL compatible. A lower percent change can be accommodated with a series resistor. For further information, see the Application Information section.
Margin Up <sup>(1)</sup>	19	When this input is asserted to GND, the output voltage is increased by 5%. The input requires an open collector (open-drain) interface. It is <b>not</b> TTL compatible. The percent change can be reduced with a series resistor. For further information, see the Application Information section.

(1) Denotes negative logic: Open = Normal operation / Ground = Function active



TYPICAL CHARACTERISTICS<sup>(1)(2)</sup>

Characteristic Data ( $V_I = 12\text{ V}$ )

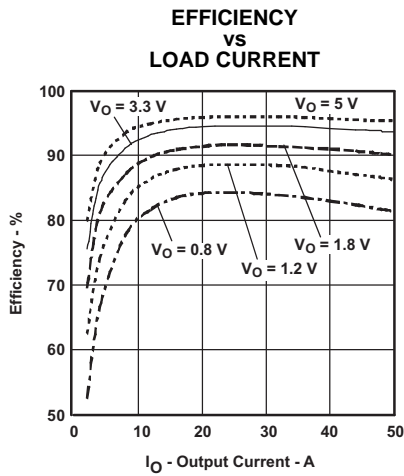


Figure 1.

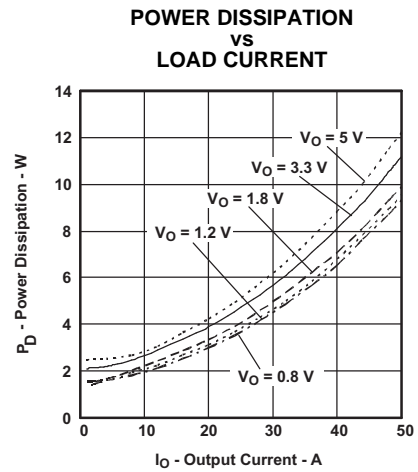


Figure 2.

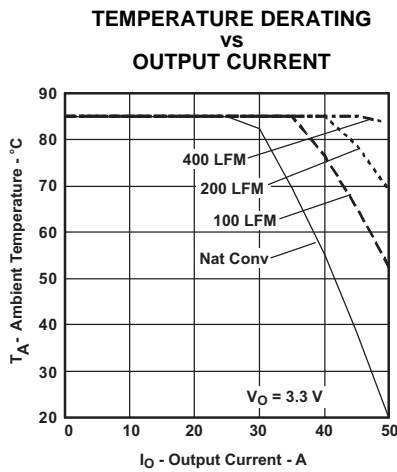


Figure 3.

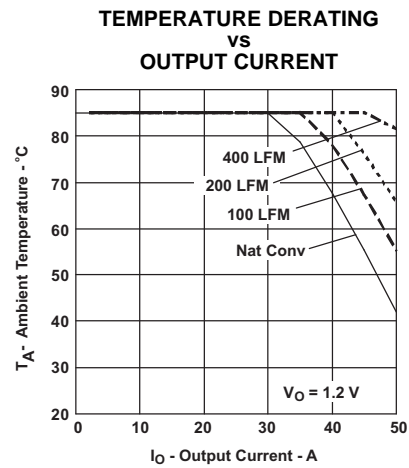


Figure 4.

- (1) The electrical characteristic data has been developed from actual products tested at 25°C. This data is considered typical for the converter. Applies to [Figure 1](#) and [Figure 2](#).
- (2) The temperature derating curves represent the conditions at which internal components are at or below the manufacturer's maximum operating temperatures. Derating limits apply to modules soldered directly to a 4-mm x 4-mm, double-sided PCB with 1-oz. copper. For surface mount packages (AS and AZ suffix), multiple vias (plated through holes) are required to add thermal paths around the power pins. Please refer to the mechanical specification for more information. Applies to [Figure 3](#) and [Figure 6](#).

**TYPICAL CHARACTERISTICS<sup>(4)(5)</sup> (continued)**

**Characteristic Data ( $V_I = 8\text{ V}$ )<sup>(3)</sup>**

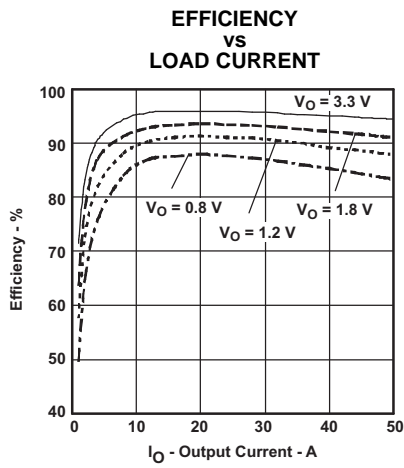


Figure 5.

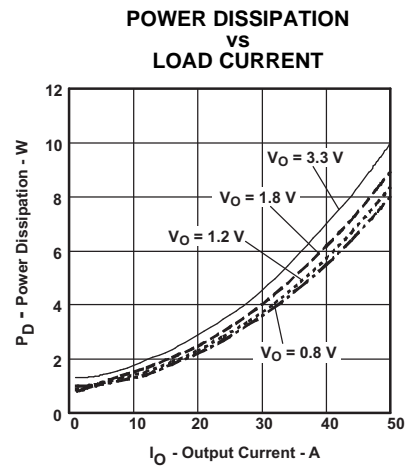


Figure 6.

- (3) The electrical characteristic data has been developed from actual products tested at 25°C. This data is considered typical for the converter. Applies to [Figure 5](#) , and [Figure 6](#) .

## APPLICATION INFORMATION

### Capacitor Recommendations for the PTH12040W Power Module

The PTH12040W is a state-of-the-art multi-phase power converter topology that uses three parallel switching and filter inductor paths between the common input and output filter capacitors. The three paths share the load current, operate at the same frequency, and are evenly displaced in phase.

With multiple switching paths the transient output current capability is significantly increased. This reduces the amount of external output capacitance required to support a load transient. As a further benefit, the ripple current, as seen by the input and output capacitors, is reduced in magnitude and effectively tripled in frequency.

#### Input Capacitor

The improved transient response of a multi-phase converter places a bigger burden on the transient capability of the input source. The size and value of the input capacitor is therefore determined by this converter's transient performance capability. The minimum amount of input capacitance required is 560  $\mu\text{F}$ , with an RMS ripple current rating of 300 mA. This minimum value assumes that the converter is supplied with a responsive, low inductance input source. This source should have ample capacitive decoupling, and be distributed to the converter via PCB power and ground planes. For high-performance applications, or wherever the transient performance of the input source is limited, 1000  $\mu\text{F}$  of input capacitance is recommended.

Ripple current, less than 100 m $\Omega$  of equivalent series resistance (ESR), and temperature are the main considerations when selecting input capacitors. The ripple current reflected from the input of the PTH12040W module is moderate to low. Therefore any good quality, computer-grade electrolytic capacitor, of either value suggested, has an adequate ripple current rating.

Regular tantalum capacitors are not recommended for the input bus. These capacitors require a recommended minimum voltage rating of  $2 \times$  (maximum dc voltage + ac ripple). This is standard practice to ensure reliability. No tantalum capacitors were found with a sufficient voltage rating to meet this requirement. When the operating temperature is below 0°C, the ESR of aluminum electrolytic capacitors increases. For these applications, Os-Con, polyaluminum, and polymer-tantalum types should be considered. Adding one or two ceramic capacitors to the input reduces high-frequency reflected ripple current.

#### Output Capacitors

The PTH12040W requires a minimum output capacitance of 660  $\mu\text{F}$  (or  $2 \times 330 \mu\text{F}$ ), with an ESR of 15 m $\Omega$  to 40 m $\Omega$ . This is necessary for the stable operation of the regulator. Additional capacitance can be added to improve the module's performance to load transients. High quality computer-grade electrolytic capacitors are recommended. Aluminum electrolytic capacitors provide adequate decoupling over the frequency range, 2 kHz to 150 kHz, and are suitable when ambient temperatures are above 0°C. For operation below 0°C, tantalum, ceramic, or Os-Con type capacitors are necessary.

When using a combination of one or more nonceramic capacitors, the calculated equivalent ESR should be no lower than 2 m $\Omega$  (4 m $\Omega$  when calculating using the manufacturer's maximum ESR values). A list of preferred low-ESR type capacitors are identified in [Table 1](#).

#### Ceramic Capacitors

Above 150 kHz the performance of aluminum electrolytic capacitors is less effective. Multilayer ceramic capacitors have very low ESR and a resonant frequency higher than the bandwidth of the regulator. They can be used to reduce the reflected ripple current at the input as well as improve the transient response of the output. When used on the output their combined ESR is not critical as long as the total value of ceramic capacitors, with values between 10  $\mu\text{F}$  and 100  $\mu\text{F}$ , does not exceed 400  $\mu\text{F}$ . Also, to prevent the formation of local resonances, do not place more than five identical ceramic capacitors in parallel with values of 10  $\mu\text{F}$  or greater.



---

## APPLICATION INFORMATION (continued)

### Tantalum Capacitors

Tantalum type capacitors are only used on the output bus, and are recommended for applications where the ambient operating temperature is less than 0°C. The AVX TPS, Sprague 593D/594/595 and Kemet T495/T510 capacitor series are suggested over many other tantalum types due to their higher rated surge, power dissipation, and ripple current capability. As a caution, many general purpose tantalum capacitors have higher ESR, reduced power dissipation, and lower ripple current capability. These capacitors are also less reliable due to their reduced power dissipation and surge current ratings. Tantalum capacitors that have no stated ESR or surge current rating are not recommended for power applications.

When specifying Os-con and polymer-tantalum capacitors for the output, the minimum ESR limit is encountered well before the maximum capacitance value is reached.

### Capacitor Table

Table 1 identifies the characteristics of capacitors from a number of vendors with acceptable ESR and ripple current (rms) ratings. The recommended number of capacitors required at both the input and output buses is identified for each capacitor type.

*Note: This is not an extensive capacitor list. Capacitors from other vendors are available with comparable specifications. Those listed are for guidance. The RMS ripple current rating and ESR (at 100 kHz) are critical parameters necessary to insure both optimum regulator performance and long capacitor life.*

### Designing for Very Fast Load Transients

The transient response of the dc/dc converter has been characterized using a load transient with a di/dt of 1 A/μs. The typical voltage deviation for this load transient is given in the data sheet specification table using the minimum required value of output capacitance. As the di/dt of a transient is increased, the response of a converter's regulation circuit ultimately depends on its output capacitor decoupling network. This is an inherent limitation with any dc/dc converter once the speed of the transient exceeds its bandwidth capability. If the target application specifies a higher di/dt or lower voltage deviation, the requirement can only be met with additional output capacitor decoupling. In these cases special attention must be paid to the type, value and ESR of the capacitors selected.

**APPLICATION INFORMATION (continued)****Table 1. Input/Output Capacitors<sup>(1)</sup>**

Capacitor Vendor, Type Series (Style)	Capacitor Characteristics					Quantity		Vendor Part No.
	Working Voltage	Value (µF)	Max. ESR at 100 kHz	Max Ripple Current at 85°C (Irms)	Physical Size (mm)	Input Bus	Output Bus	
Panasonic FC (Radial)	25 V	1000	0.043 Ω	>1690 mA	16 × 15	1	1	EEUFC1E102S
	25 V	560	0.065 Ω	1205 mA	12,5 × 15	1	2	EEUFC1E561S
	16 V	680	0.080 Ω	>850 mA	10 × 10,2	1	1	EEVFK1C681P
FK (SMD)	35 V	1000	0.060 Ω	1100 mA	12,5 × 13,5	1	1	EEVFK1V102Q
United Chemi-Con MVZ(SMD)	16 V	470	0.090 Ω	670 mA	10 × 10	2	2	MVZ25VC471MJ10TP
	16 V	470	0.090 Ω	760 mA	10 × 12,5	2	2	LXZ16VB471M10X12LL
LXZ, Aluminum (Radial)	25 V	680	0.068 Ω	1050 mA	10 × 16	1	1	LXZ16VB681M10X16LL
PS, Poly-Aluminum(Radial)	16 V	330	0.014 Ω	5060 mA	10 × 12,5	2	≤4	16PS330MJ12
PXA, Poly-Aluminum (SMD)	16 V	330	0.014 Ω	5050 mA	10 × 12,2	2	≤4	PXA16VC331MJ12TP
Nichicon, Aluminum HD (Radial)	25 V	560	0.060 Ω	1060 mA	12,5 × 15	1	2	UPM1E561MHH6
	25 V	680	0.038 Ω	1430 mA	10 × 16	1	1	UHD1C681MHR
PM (Radial)	35 V	560	0.048 Ω	1360 mA	16 × 15	1	2	UPM1V561MHH6
Panasonic, Poly-Aluminum: SP-Cap	6.3 V	180	0.005 Ω	4100 mA	7,3 × 5,7	N/R <sup>(2)</sup>	≤5	EEFSE09J181R (V <sub>O</sub> ≤ 5.1 V)
Sanyo TPE, Poscap (SMD)	10 V							
	16 V	330	0.025 Ω	3000 mA	7,3 × 5,7	N/R <sup>(2)</sup>	≤5	10TPE330M
SP, Os-Con (Radial)	16 V	470	0.010 Ω	>6000 mA	10 × 13		≤4	16SEPC470M
SVP, Os-Con (SMD)		330	0.016 Ω	4700 mA	11 × 12	3 <sup>(3)</sup>	≤4	16SVP330M
						2		
AVX, Tantalum, Series III TPS (SMD)	10 V	470	0.045 Ω	>1723 mA	7,3 × 5,7 × 4,1	N/R <sup>(2)</sup>	≤5 <sup>(4)</sup>	TPSE477M010R0045 (V <sub>O</sub> ≤ 5.1 V)
	10 V	330	0.045 Ω	1723 mA		N/R <sup>(2)</sup>	≤5 <sup>(4)</sup>	TPSE337M010R0045 (V <sub>O</sub> ≤ 5.1 V)
Kemet, Poly-Tantalum T520 (SMD)	10 V	330	0.040 Ω	1800 mA	4,3 × 7,3 × 4,0	N/R <sup>(2)</sup>	2	T520X337M010AS
	10 V	330	0.015 Ω	>3800 mA		N/R <sup>(2)</sup>	≤4	T530X337M010AS
T530 (SMD) ( Poly-Tantalum )	6.3 V	470	0.012 Ω	4200 mA		N/R <sup>(2)</sup>	≤3 <sup>(4)</sup>	T530X477M006AS (V <sub>O</sub> ≤ 5.1 V)
T530 (SMD) ( Poly-Tantalum )	4 V	680	0.005 Ω	>5000 mA	7,3 × 4,3 × 4,0	N/R <sup>(2)</sup>	≤2	T530X687M004ASE005 (V <sub>O</sub> ≤ 3.2 V)
							≤3 <sup>(4)</sup>	
Vishay-Sprague 595D, Tantalum (SMD)	10 V	470	0.100 Ω	1440 mA	7,2 × 6 × 4,1	N/R <sup>(2)</sup>	2 <sup>(4)</sup>	595D477X0010R2T (V <sub>O</sub> ≤ 5.1 V )
94SA, Os-con (Radial)	16 V	1000	0.015 Ω	9740 mA	16 × 25	1	≤4	94SA108X0016HBP
Kemet, Ceramic X5R (SMD)	16 V	10	0.002 Ω	–	3225	1 <sup>(5)</sup>	≤8	C1210C106M4PAC
	6.3 V	47	0.002 Ω	–		N/R <sup>(2)</sup>	≤8	C1210C476K9PAC
Murata, Ceramic X5R (SMD)	6.3 V	100	–	–		N/R <sup>(2)</sup>	≤4	GRM32ER60J107M
	6.3 V	47				N/R <sup>(2)</sup>	≤8	GRM32ER60J476M
	16 V	47			3225	1 <sup>(5)</sup>	≤8	GRM32ER61C476K
	16 V	22				1 <sup>(5)</sup>	≤8	GRM32ER61C226K
	16 V	10				1 <sup>(5)</sup>	≤8	GRM32DR61C106K
TDK, Ceramic X5R (SMD)	6.3 V	100	–	–		N/R <sup>(2)</sup>	≤4	C3225X5R0J107MT
	6.3 V	47				N/R <sup>(2)</sup>	≤8	C3225X5R0J476MT
	16 V	22			3225	1 <sup>(5)</sup>	≤8	C3225X5R1C226MT
	16 V	10				1 <sup>(5)</sup>	≤8	C3225X5R1C106MT

**(1) Capacitor Supplier Verification**

Please verify availability of capacitors identified in this table. Capacitor suppliers may recommend alternative part numbers because of limited availability or obsolete products. In some instances, the capacitor product life cycle may be in decline and have short-term consideration for obsolescence.

**RoHS, Lead-free and Material Details**

Please consult capacitor suppliers regarding material composition, RoHS status, lead-free status, and manufacturing process requirements. Component designators or part number deviations can occur when material composition or soldering requirements are updated.

(2) N/R – Not recommended. The voltage rating does not meet the minimum operating limits.

(3) Total capacitance of 540 µF is acceptable based on the combined ripple current rating.

(4) The voltage rating of this capacitor only allows it to be used for output voltages that are equal to or less than 5.1 V.

(5) Small ceramic capacitors may be used to complement electrolytic types at the input to further reduce high-frequency ripple current.

## APPLICATION INFORMATION (continued)

### Adjusting the Output Voltage of the PTH12040W Wide-Output Adjust Power Module

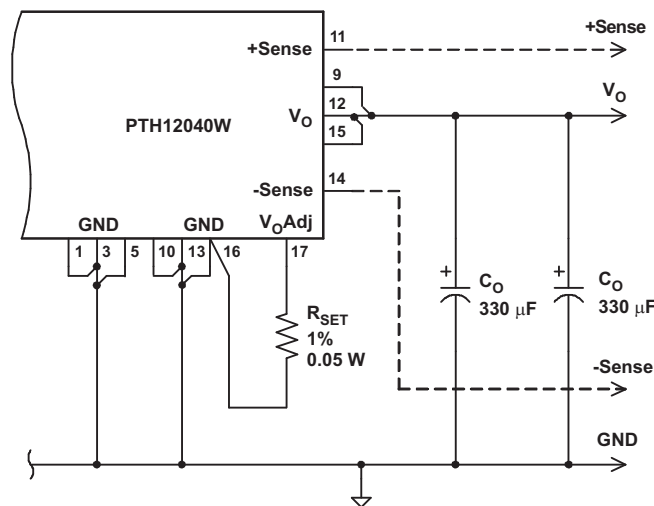
The  $V_O$  Adjust control (pin 17) sets the output voltage of the PTH12040W product. The adjustment range is from 0.8 V to 5.5 V. The adjustment method requires the addition of a single external resistor,  $R_{SET}$ , that must be connected directly between the  $V_O$  Adjust and GND pins 1. [Table 2](#) gives the preferred value of the external resistor for a number of standard voltages, along with the actual output voltage that this resistance value provides. [Figure 7](#) shows the placement of the required resistor.

For other output voltages, the value of the required resistor can either be calculated, or simply selected from the range of values given in [Table 3](#). The following formula can be used to calculate the adjust resistor value.

$$R_{set} = 10 \text{ k}\Omega \times \frac{0.8 \text{ V}}{V_O - 0.8 \text{ V}} - 1.696 \text{ k}\Omega \quad (1)$$

**Table 2. Standard Values of  $R_{SET}$  for Common Output Voltages**

$V_O$ (Required)	PTH12040W	
	$R_{SET}$	$V_O$ (Actual)
5 V	2.5 $\Omega$	5.008 V
3.3 V	1.5 k $\Omega$	3.303 V
2.5 V	3.01 k $\Omega$	2.5 V
2 V	4.99 k $\Omega$	1.997 V
1.8 V	6.34 k $\Omega$	1.796 V
1.5 V	9.76 k $\Omega$	1.498 V
1.2 V	18.2 k $\Omega$	1.202 V
1 V	38.3 k $\Omega$	1 V
0.8 V	Open	0.8 V



- (1) A 0.05-W rated resistor may be used. The tolerance should be 1%, and the temperature stability, 100 ppm/ $^{\circ}$ C (or better). Place the resistor as close to the regulator as possible. Connect the resistor directly between pin 17 and nearest GND pin (pin 16) using dedicated PCB traces.
- (2) Never connect capacitors from  $V_O$  Adjust to either GND or  $V_O$ . Any capacitance added to the  $V_O$  Adjust pin affects the stability of the regulator.

**Figure 7.  $V_O$  Adjust Resistor Placement**

**Table 3. Output Voltage Set-Point Resistor Values**

$V_O$	$R_{SET}$	$V_O$	$R_{SET}$	$V_O$	$R_{SET}$
0.8	Open	1.6	8.3 k $\Omega$	3.05	1.86 k $\Omega$
0.825	318 k $\Omega$	1.65	7.72 k $\Omega$	3.1	1.78 k $\Omega$
0.85	158 k $\Omega$	1.7	7.19 k $\Omega$	3.15	1.71 k $\Omega$
0.875	105 k $\Omega$	1.75	6.73 k $\Omega$	3.2	1.64 k $\Omega$
0.9	78.31 k $\Omega$	1.8	6.3 k $\Omega$	3.25	1.57 k $\Omega$
0.925	62.3 k $\Omega$	1.85	5.92 k $\Omega$	3.3	1.5 k $\Omega$
0.95	51.6 k $\Omega$	1.9	5.58 k $\Omega$	3.35	1.44 k $\Omega$
0.975	44 k $\Omega$	1.95	5.26 k $\Omega$	3.4	1.38 k $\Omega$
1	38.3 k $\Omega$	2	4.97 k $\Omega$	3.5	1.27 k $\Omega$
1.025	33.9 k $\Omega$	2.05	4.7 k $\Omega$	3.6	1.16 k $\Omega$
1.05	30.3 k $\Omega$	2.1	4.46 k $\Omega$	3.7	1.06 k $\Omega$
1.075	27.4 k $\Omega$	2.15	4.23 k $\Omega$	3.8	971 $\Omega$
1.1	25 k $\Omega$	2.2	4.02 k $\Omega$	3.9	885 $\Omega$
1.125	22.9 k $\Omega$	2.25	3.82 k $\Omega$	4	804 $\Omega$
1.15	21.2 k $\Omega$	2.3	3.64 k $\Omega$	4.1	728 $\Omega$
1.175	19.6 k $\Omega$	2.35	3.47 k $\Omega$	4.2	657 $\Omega$
1.2	18.3 k $\Omega$	2.4	3.3 k $\Omega$	4.3	590 $\Omega$
1.225	17.1 k $\Omega$	2.45	3.15 k $\Omega$	4.4	526 $\Omega$
1.25	16.1 k $\Omega$	2.5	3.01 k $\Omega$	4.5	466 $\Omega$
1.275	15.1 k $\Omega$	2.55	2.88 k $\Omega$	4.6	409 $\Omega$
1.3	14.3 k $\Omega$	2.6	2.75 k $\Omega$	4.7	355 $\Omega$
1.325	13.5 k $\Omega$	2.65	2.63 k $\Omega$	4.8	304 $\Omega$
1.35	12.8 k $\Omega$	2.7	2.51 k $\Omega$	4.9	255 $\Omega$
1.375	12.2 k $\Omega$	2.75	2.41 k $\Omega$	5	209 $\Omega$
1.4	11.6 k $\Omega$	2.8	2.3 k $\Omega$	5.1	164 $\Omega$
1.425	11.1 k $\Omega$	2.85	2.21 k $\Omega$	5.2	122 $\Omega$
1.45	10.6 k $\Omega$	2.9	2.11 k $\Omega$	5.3	82 $\Omega$
1.475	10.2 k $\Omega$	2.95	2.02 k $\Omega$	5.4	43 $\Omega$
1.5	9.73 k $\Omega$	3	1.94 k $\Omega$	5.5	0 $\Omega$
1.55	8.97 k $\Omega$				

### Adjusting the Undervoltage Lockout (UVLO) of the PTH12040W Power Modules

The PTH12040W power modules incorporate an input undervoltage lockout (UVLO). The UVLO feature prevents the operation of the module until there is sufficient input voltage to produce a valid output voltage. This enables the module to provide a clean, monotonic powerup for the load circuit, and also limits the magnitude of current drawn from the regulator's input source during the power-up sequence.

The UVLO characteristic is defined by the on-threshold ( $V_{THD}$ ) and hysteresis ( $V_{HYS}$ ) voltages. Below the *on* threshold, the Inhibit control is overridden, and the module does not produce an output. The hysteresis voltage is the difference between the *on* and *off* threshold voltages. It ensures a clean power-up, even when the input voltage is rising slowly. The hysteresis prevents start-up oscillations, which can occur if the input voltage droops slightly when the module begins drawing current from the input source.

## UVLO Adjustment

The UVLO feature of the PTH12040W module allows for limited adjustment of both the on threshold and hysteresis voltages. The adjustment is made via the *UVLO Prog* control pin. When the UVLO Prog pin is left open circuit, the on threshold and hysteresis voltages are internally set to their default values. The *on* threshold has a nominal voltage of 7.5 V, and the hysteresis 1 V. This ensures that the module produces a regulated output when the minimum input voltage is applied (see specifications). The combination correlates to an *off* threshold of approximately 6.5 V. The adjustments are limited. The on threshold can only be adjusted higher, and the hysteresis voltage can only be reduced in magnitude.

The *on* threshold might need to be raised if the module is powered from a tightly regulated 12-V bus. This would prevent it from operating if the input bus failed to completely rise to its specified regulation voltage. The hysteresis should not be changed unless absolutely necessary. A generous amount of hysteresis ensures that the module exhibits a clean startup. Therefore, adjustment of the hysteresis should only be considered if there is a system requirement to specifically set the off threshold voltage (in addition to the on threshold). Depending on the load regulation of the input source, the hysteresis should not be adjusted below 0.5 V without careful consideration.

## Adjustment Method

The resistors,  $R_{THD}$  and  $R_{HYS}$  (see Figure 8), provide the adjustment of the on-threshold and hysteresis voltages.  $R_{THD}$  connects between the UVLO Prog control pin and GND, and  $R_{HYS}$  is connected between the UVLO Prog and  $V_I$ .  $R_{THD}$  alone is used to adjust the on-threshold voltage **higher**. However, to adjust the hysteresis to a **lower** value requires **both** the  $R_{HYS}$  and  $R_{THD}$  resistors to be placed in the circuit.

The recommended adjustment method requires that any change to the hysteresis be determined first. If the hysteresis is changed, then a value for  $R_{THD}$  **must** also be calculated. This is irrespective of whether a change is required to the value of  $V_{THD}$ . If there is no change to  $V_{HYS}$ , then a resistor should not be placed in the  $R_{HYS}$  location.  $R_{HYS}$  should then be assigned an infinite value for calculating the value of  $R_{THD}$ .

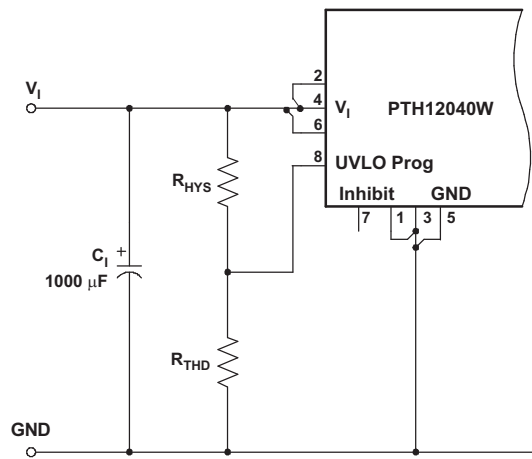


Figure 8. UVLO Program Resistor Placement

## Hysteresis Adjust

The hysteresis voltage,  $V_{HYS}$ , is the difference between the *on* and *off* threshold values. The default value is 1 V and it can only be adjusted to a lower value.

**Caution should be used when changing the hysteresis voltage to a lower value, as it could induce start-up oscillations.**

Any change in the hysteresis voltage requires both  $R_{HYS}$  and  $R_{THD}$  resistors be in place. Adding  $R_{HYS}$  alone does not have the desired effect. The value for  $R_{HYS}$  must first be calculated using Equation 2. The value identified for  $R_{HYS}$  must then be used to determine a value for  $R_{THD}$ , using Equation 3.

$$R_{HYS} = \frac{26.1 \times H_{HYS}}{0.365 \times (1 - V_{HYS})} \text{ k}\Omega \quad (2)$$

### Threshold Adjust

Equation 3 determines the value of  $R_{THD}$  required to adjust  $V_{THD}$  to a new value. The default value is 7.5 V, and it may only be adjusted to a higher value. If the hysteresis value has been adjusted, then a value for  $R_{THD}$  must also be calculated. (This is irrespective of whether  $V_{THD}$  is being adjusted.) If there has been no adjustment for the hysteresis voltage, the term  $1/R_{HYS}$  in Equation 3, may be assigned the value, 0.

$$R_{THD} = \frac{39.2 \text{ k}\Omega}{39.2 \left[ (1/R_{HYS} + 0.014) \left( V_{THD}/2.5 - 1 \right) - 0.0027 \right] - 1} \quad (3)$$

### Calculated Values

Table 4 shows a matrix of standard resistor values for  $R_{HYS}$  and  $R_{THD}$ , for different options of the on-threshold ( $V_{THD}$ ) and hysteresis ( $V_{HYS}$ ) voltages. For most applications, only the on-threshold voltage should need to be adjusted. In this case select only a value for  $R_{THD}$  from far right-hand column.

The hysteresis should only be adjusted if there is a specific requirement to independently adjust the off-threshold, separately from the on-threshold voltage. In this case, a value for both  $R_{HYS}$  and  $R_{THD}$  must be selected from Table 4. This is irrespective of whether the on-threshold voltage is being adjusted.

**Table 4. Calculated Values of  $R_{HYS}$  and  $R_{THD}$ , for Various Values of  $V_{HYS}$  and  $V_{THD}$**

	$V_{HYS}$	0.5 V	0.6 V	0.7 V	0.8 V	0.9 V	1 V (default)
$V_{THD}$	$R_{HYS}$	71.5 k $\Omega$	107 k $\Omega$	165 k $\Omega$	287 k $\Omega$	649 k $\Omega$	N/A
8 V	$R_{THD}$	30.1 k $\Omega$	43.2 k $\Omega$	63.4 k $\Omega$	97.6 k $\Omega$	169 k $\Omega$	402 k $\Omega$
8.5 V		25.5 k $\Omega$	36.5 k $\Omega$	51.1 k $\Omega$	73.2 k $\Omega$	110 k $\Omega$	187 k $\Omega$
9 V		23.2 k $\Omega$	30.9 k $\Omega$	42.2 k $\Omega$	57.6 k $\Omega$	82.5 k $\Omega$	124 k $\Omega$
9.5 V		20 k $\Omega$	27.4 k $\Omega$	36.5 k $\Omega$	48.7 k $\Omega$	64.9 k $\Omega$	90.9 k $\Omega$
10 V		18.2 k $\Omega$	24.3 k $\Omega$	31.6 k $\Omega$	41.2 k $\Omega$	54.9 k $\Omega$	73.2 k $\Omega$
10.5 V		16.2 k $\Omega$	21.5 k $\Omega$	28 k $\Omega$	36.5 k $\Omega$	46.4 k $\Omega$	60.4 k $\Omega$
11 V		15 k $\Omega$	19.6 k $\Omega$	25.5 k $\Omega$	32.4 k $\Omega$	41.2 k $\Omega$	52.3 k $\Omega$
11.5 V		14 k $\Omega$	18.2 k $\Omega$	23.2 k $\Omega$	28 k $\Omega$	36.5 k $\Omega$	45.3 k $\Omega$
12 V		12.7 k $\Omega$	16.5 k $\Omega$	21 k $\Omega$	26.1 k $\Omega$	32.4 k $\Omega$	40.2 k $\Omega$

## Features of the PTH Family of Non-Isolated Wide Output Adjust Power Modules

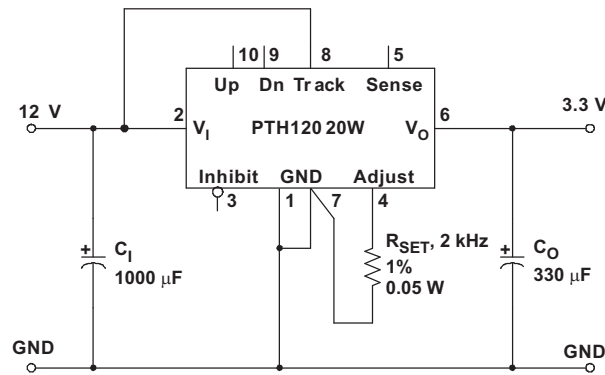
### POLA™ Compatibility

The PTH/PTV family of nonisolated, wide-output adjustable power modules from Texas Instruments are optimized for applications that require a flexible, high performance module that is small in size. Each of these products are POLA™ compatible. POLA-compatible products are produced by a number of manufacturers, and offer customers advanced, non-isolated modules with the same footprint and form factor. POLA parts are also assured to be interoperable, thereby providing customers with second-source availability.

All POLA products include Auto-Track™. This feature was specifically designed to simplify the task of sequencing the supply voltages in a power system. This and other features are described in the following sections.

### Soft-Start Power Up

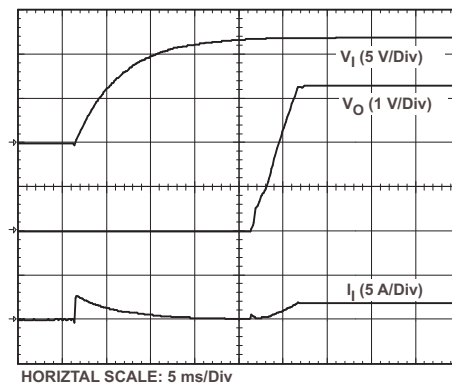
The Auto-Track feature allows the power-up of multiple PTH modules to be directly controlled from the Track pin. However in a stand-alone configuration, or when the Auto-Track feature is not being used, the Track pin should be directly connected to the input voltage,  $V_I$  (see Figure 9).



**Figure 9. Power-Up Application Circuit**

When the Track pin is connected to the input voltage the Auto-Track function is permanently disengaged. This allows the module to power up entirely under the control of its internal soft-start circuitry. When power up is under soft-start control, the output voltage rises to the set-point at a quicker and more linear rate.

From the moment a valid input voltage is applied, the soft-start control introduces a short time delay (typically 8 ms–15 ms) before allowing the output voltage to rise.



**Figure 10. Power-Up Waveforms**

The output then progressively rises to the module's setpoint voltage. Figure 10 shows the soft-start power-up characteristic of the 18-A output product (PTH12020W), operating from a 12-V input bus and configured for a 3.3-V output. The waveforms were measured with a 5-A resistive load and the Auto-Track feature disabled. The initial rise in input current when the input voltage first starts to rise is the charge current drawn by the input capacitors. Power-up is complete within 25 ms.

### Overcurrent Protection

For protection against load faults, all modules incorporate output overcurrent protection. Applying a load that exceeds the regulator's overcurrent threshold causes the regulated output to shut down. Following shutdown, a module periodically attempt to recover by initiating a soft-start power-up. This is described as a *hiccup* mode of operation, whereby the module continues in a cycle of successive shutdown and power up until the load fault is removed. During this period, the average current flowing into the fault is significantly reduced. Once the fault is removed, the module automatically recovers and returns to normal operation.

### Overtemperature Protection (OTP)

The PTH12020, PTH12030, and PTH12040 products have overtemperature protection. These products have an on-board temperature sensor that protects the module’s internal circuitry against excessively high temperatures. A rise in the internal temperature may be the result of a drop in airflow, or a high ambient temperature. If the internal temperature exceeds the OTP threshold, the module’s Inhibit control is internally pulled low. This turns the output off. The output voltage drops as the external output capacitors are discharged by the load circuit. The recovery is automatic, and begins with a soft-start power up. It occurs when the the sensed temperature decreases by about 10°C below the trip point.

*Note: The overtemperature protection is a last resort mechanism to prevent thermal stress to the regulator. Operation at or close to the thermal shutdown temperature is not recommended and reduces the long-term reliability of the module. Always operate the regulator within the specified safe operating area (SOA) limits for the worst-case conditions of ambient temperature and airflow.*

### Output On/Off Inhibit

For applications requiring output voltage on/off control, each series of the PTH family incorporates an output Inhibit control pin. The inhibit feature can be used wherever there is a requirement for the output voltage from the regulator to be turned off.

The power modules function normally when the Inhibit pin is left open-circuit, providing a regulated output whenever a valid source voltage is connected to  $V_I$  with respect to GND.

Figure 11 shows the typical application of the inhibit function. Note the discrete transistor (Q1). The Inhibit input has its own internal pull-up to a potential of 5 V to 13.2 V (see footnotes to electrical characteristics table). The input is not compatible with TTL logic devices. An open-collector (or open-drain) discrete transistor is recommended for control.

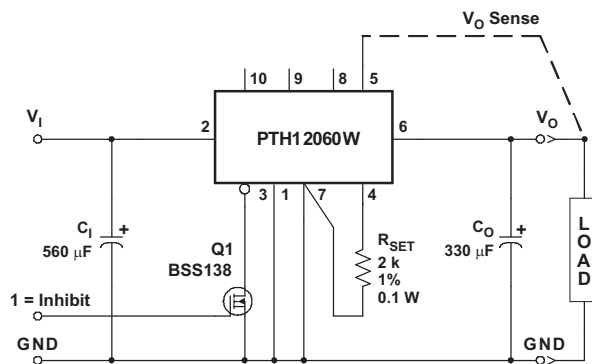
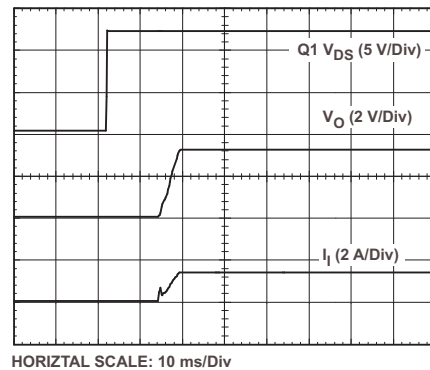


Figure 11. Inhibit Control Circuit

Turning Q1 on applies a low voltage to the Inhibit control pin and disables the output of the module. If Q1 is then turned off, the module executes a soft-start power-up sequence. A regulated output voltage is produced within 25 ms. Figure 12 shows the typical rise in both the output voltage and input current, following the turn-off of Q1. The turn off of Q1 corresponds to the rise in the waveform, Q1  $V_{DS}$ . The waveforms were measured with a 5-A constant current load.





**Figure 12. Power-Up from Inhibit Control**

### Remote Sense

Products with this feature incorporate an output voltage sense pin,  $V_O$  Sense. A remote sense improves the load regulation performance of the module by allowing it to compensate for any  $IR$  voltage drop between its output and the load. An  $IR$  drop is caused by the high output current flowing through the small amount of pin and trace resistance.

To use this feature simply connect the  $V_O$  Sense pin to the  $V_O$  node, close to the load circuit. If a sense pin is left open-circuit, an internal low-value resistor ( $15\text{-}\Omega$  or less) connected between the pin and the output node, ensures the output remains in regulation.

With the sense pin connected, the difference between the voltage measured directly between the  $V_O$  and GND pins, and that measured from  $V_O$  Sense to GND, is the amount of  $IR$  drop being compensated by the regulator. This should be limited to a maximum of 0.3 V.

*Note: The remote sense feature is not designed to compensate for the forward drop of nonlinear or frequency dependent components that may be placed in series with the converter output. Examples include OR-ing diodes, filter inductors, ferrite beads, and fuses. When these components are enclosed by the remote sense connection they are effectively placed inside the regulation control loop, which can adversely affect the stability of the regulator.*

### Auto-Track™ Function

The Auto-Track function is unique to the PTH/PTV family, and is available with all POLA products. Auto-Track was designed to simplify the amount of circuitry required to make the output voltage from each module power up and power down in sequence. The sequencing of two or more supply voltages during power up is a common requirement for complex mixed-signal applications that use dual-voltage VLSI ICs such as the TMS320™ DSP family, microprocessors, and ASICs.

### How Auto-Track™ Works

Auto-Track works by forcing the module output voltage to follow a voltage presented at the *Track* control pin <sup>(1)</sup>. This control range is limited to between 0 V and the module set-point voltage. Once the *Track*-pin voltage is raised above the set-point voltage, the module output remains at its set-point <sup>(2)</sup>. As an example, if the *Track* pin of a 2.5-V regulator is at 1 V, the regulated output is 1 V. If the voltage at the *Track* pin rises to 3 V, the regulated output does not go higher than 2.5 V.

When under Auto-Track control, the regulated output from the module follows the voltage at its *Track* pin on a volt-for-volt basis. By connecting the *Track* pin of a number of these modules together, the output voltages follow a common signal during power up and power down. The control signal can be an externally generated master ramp waveform, or the output voltage from another power supply circuit <sup>(3)</sup>. For convenience, the *Track* input incorporates an internal RC-charge circuit. This operates off the module input voltage to produce a suitable rising waveform at power up.

### Typical Application

The basic implementation of Auto-Track allows for simultaneous voltage sequencing of a number of Auto-Track compliant modules. Connecting the *Track* inputs of two or more modules forces their *Track* input to follow the same collective RC-ramp waveform, and allows their power-up sequence to be coordinated from a common *Track* control signal. This can be an open-collector (or open-drain) device, such as a power-up reset voltage supervisor IC. See U3 in [Figure 13](#).

To coordinate a power-up sequence, the *Track* control must first be pulled to ground potential. This should be done at or before input power is applied to the modules. The ground signal should be maintained for at least 20 ms after input power has been applied. This brief period gives the modules time to complete their internal soft-start initialization<sup>(4)</sup>, enabling them to produce an output voltage. A low-cost supply voltage supervisor IC, that includes a built-in time delay, is an ideal component for automatically controlling the *Track* inputs at power up.

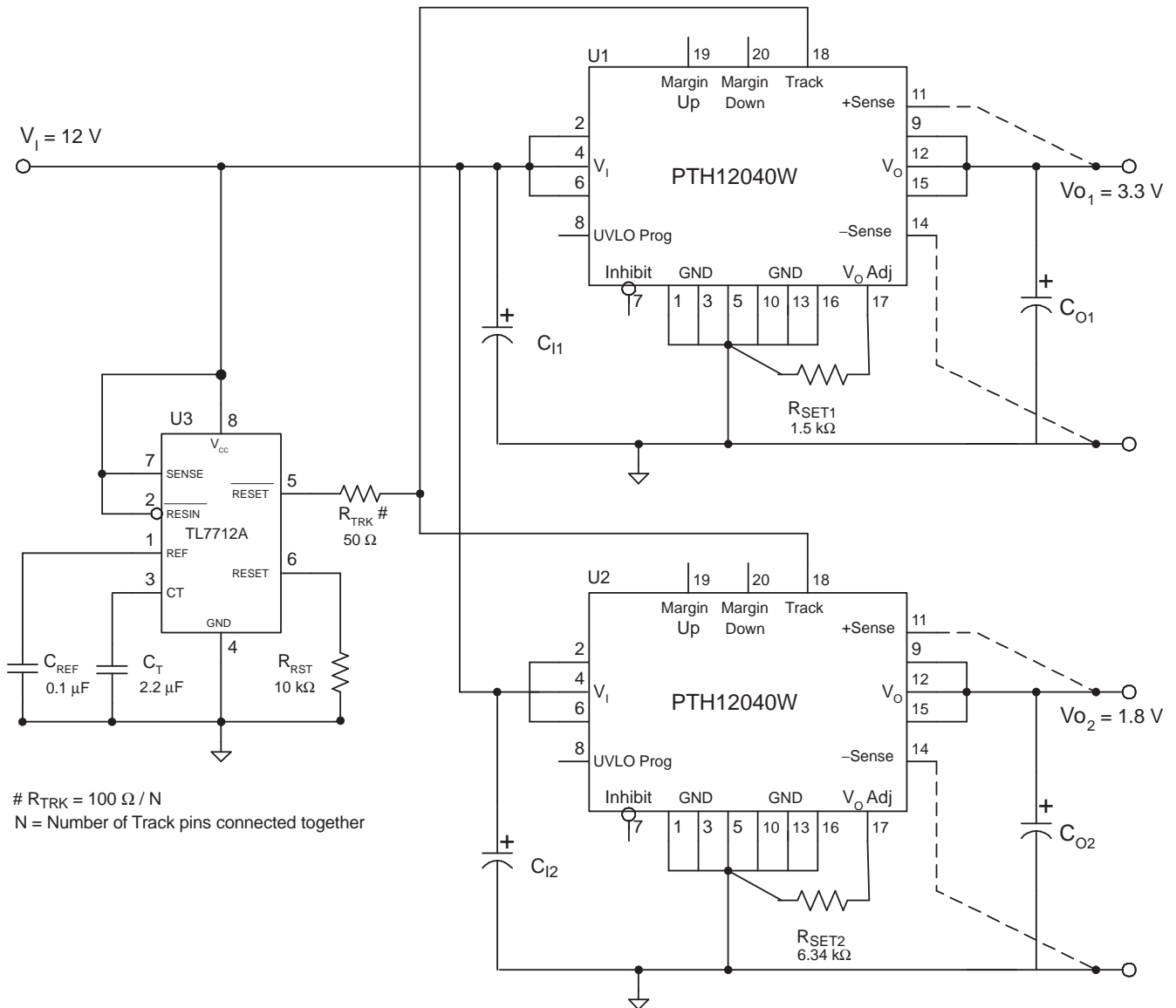
[Figure 13](#) shows how the TL7712A supply voltage supervisor IC (U3) can be used to coordinate the sequenced power PTH12040W modules. The output of the TL7712A supervisor becomes active above an input voltage of 3.6 V, enabling it to assert a ground signal to the common *Track* control well before the input voltage has reached the module's undervoltage lockout threshold. The ground signal is maintained until approximately 28 ms after the input voltage has risen above U3's voltage threshold, which is 10.95 V. The 28-ms time period is controlled by the capacitor C3. The value of 2.2  $\mu$ F provides sufficient time delay for the modules to complete their internal soft-start initialization. The output voltage of each module remains at zero until the *Track* control voltage is allowed to rise. When U3 removes the ground signal, the *Track* control voltage automatically rises. This causes the output voltage of each module to rise simultaneously with the other modules, until each reaches its respective set-point voltage.

[Figure 14](#) shows the output voltage waveforms from the circuit of [Figure 13](#) after input voltage is applied to the circuit. The waveforms,  $V_{O1}$  and  $V_{O2}$ , represent the output voltages from the two power modules, U1 (3.3 V) and U2 (1.8 V), respectively.  $V_{TRK}$ ,  $V_{O1}$ , and  $V_{O2}$  are shown rising together to produce the desired simultaneous power-up characteristic.

The same circuit also provides a power-down sequence. When the input voltage falls below U3's voltage threshold, the ground signal is re-applied to the common *Track* control. This pulls the *Track* inputs to zero volts, forcing the output of each module to follow, as shown in [Figure 15](#). In order for a simultaneous power-down to occur, the *Track* inputs must be pulled low before the input voltage has fallen below the modules' undervoltage lockout. This is an important constraint. Once the modules recognize that a valid input voltage is no longer present, their outputs can no longer follow the voltage applied at their *Track* input. During a power-down sequence, the fall in the output voltage from the modules is limited by the maximum output capacitance and the Auto-Track slew rate.

### Notes on Use of Auto-Track™

1. The *Track* pin voltage must be allowed to rise above the module set-point voltage before the module regulates at its adjusted set-point voltage.
2. The Auto-Track function tracks almost any voltage ramp during power up, and is compatible with ramp speeds of up to 1 V/ms.
3. The absolute maximum voltage that may be applied to the *Track* pin is the input voltage  $V_I$ .
4. The module cannot follow a voltage at its *Track* control input until it has completed its soft-start initialization. This takes about 20 ms from the time that a valid voltage has been applied to its input. During this period, it is recommended that the *Track* pin be held at ground potential.
5. The Auto-Track function is disabled by connecting the *Track* pin to the input voltage ( $V_I$ ). When Auto-Track is disabled, the output voltage rises at a quicker and more linear rate after input power has been applied.



**Figure 13. Sequenced Power Up and Power Down Using Auto-Track**

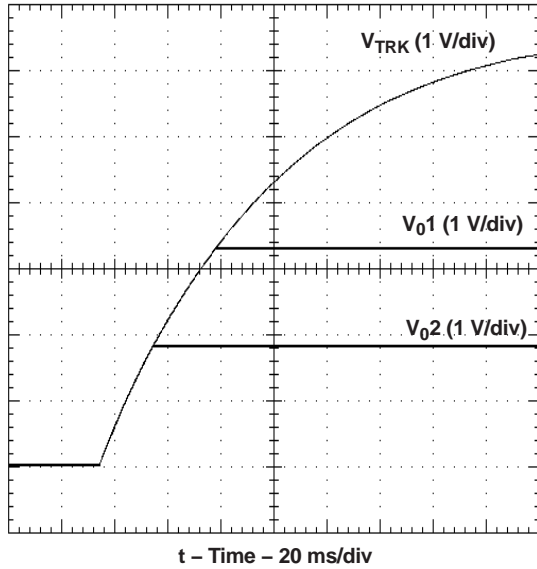


Figure 14. Simultaneous Power Up With Auto-Track Control

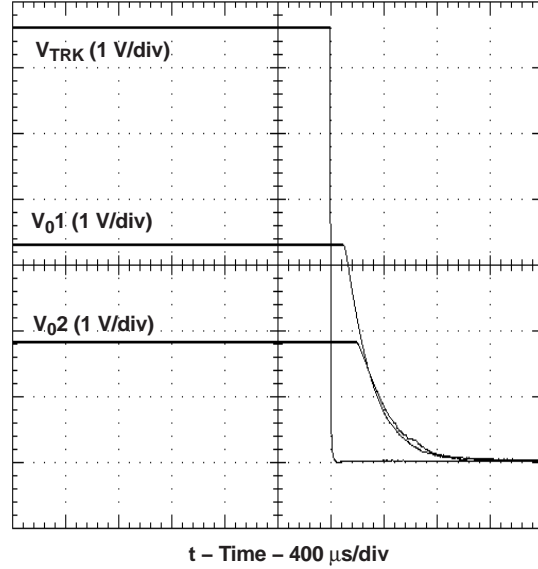


Figure 15. Simultaneous Power Down With Auto-Track Control

### Margin Up/Down Controls

The PTH12060, PTH12010, PTH12020, PTH12030, and PTH12040 products incorporate Margin Up and Margin Down control inputs. These controls allow the output voltage to be momentarily adjusted,<sup>[1]</sup> either up or down, by a nominal 5%. This provides a convenient method for dynamically testing the operation of the load circuit over its supply margin or range. It can also be used to verify the function of supply voltage supervisors. The ±5% change is applied to the adjusted output voltage, as set by the external resistor, R<sub>SET</sub> at the V<sub>O</sub> Adjust pin.

The 5% adjustment is made by pulling the appropriate margin control input directly to the GND terminal <sup>[2]</sup>. A low-leakage open-drain device, such as an n-channel MOSFET or p-channel JFET is recommended for this purpose<sup>[3]</sup>. Adjustments of less than 5 % can also be accommodated by adding series resistors to the control inputs. The value of the resistor can be selected from [Table 5](#), or calculated using [Equation 4](#).

### Up/Down Adjust Resistance Calculation

To reduce the margin adjustment to a value less than 5%, series resistors are required (see R<sub>D</sub> and R<sub>U</sub> in [Figure 16](#)). For the same amount of adjustment, the resistor value calculated for R<sub>U</sub> and R<sub>D</sub> is the same. The formula is shown in [Equation 4](#).

$$R_U \text{ or } R_D = \frac{499}{\Delta\%} - 99.8 \text{ k}\Omega \tag{4}$$

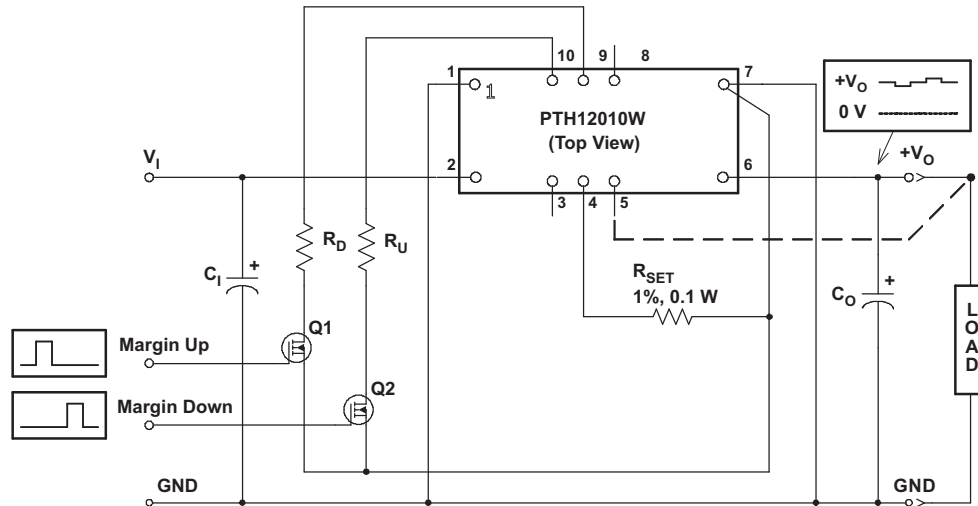
Where Δ% = The desired amount of margin adjust in percent.

### Notes

1. The Margin Up and Margin Down controls were not intended to be activated simultaneously. The affects on the output voltage may not completely cancel, resulting in the possibility of a higher error in the output voltage set point.
2. The ground reference should be a direct connection to the module’s signal GND (the GND connection recommended for R<sub>SET</sub>). This produces a more accurate adjustment at the load circuit terminals. The transistors Q1 and Q2 should be located close to the regulator.
3. The Margin Up and Margin Down control inputs are not compatible with devices that source voltage. This includes TTL logic. These are analog inputs and should only be controlled with a true open-drain device (preferably a discrete MOSFET transistor). The device selected should have low off-state leakage current. Each input sources 8 μA when grounded, and has an open-circuit voltage of 0.8 V.

**Table 5. Margin Up/Down Resistor Values**

% ADJUST	$R_U / R_D$
5	0 k $\Omega$
4	24.9 k $\Omega$
3	66.5 k $\Omega$
2	150 k $\Omega$
1	397 k $\Omega$



**Figure 16. Margin Up/Down Application Schematic**

### Prebias Startup Capability

The capability to start up into an output prebias condition is available to all the 12-V input series of PTH/PTV power modules.

A prebias startup condition occurs as a result of an external voltage being present at the output of a power module prior to its output becoming active. This often occurs in complex digital systems when current from another power source is backfed through a dual-supply logic component, such as an FPGA or ASIC. Another path might be via clamp diodes, sometimes used as part of a dual-supply power-up sequencing arrangement. A prebias can cause problems with power modules that incorporate synchronous rectifiers. This is because under most operating conditions, such modules can sink as well as source output current. The 12-V input PTH modules all incorporate synchronous rectifiers, but do not sink current during startup, or whenever the Inhibit pin is held low. Start up includes an initial delay (approximately 8–15 ms), followed by the rise of the output voltage under the control of the module's internal soft-start mechanism; see [Figure 17](#).

### Conditions for PreBias Holdoff

For the module to allow an output prebias voltage to exist (and not sink current), certain conditions must be maintained. The module holds off a prebias voltage when the Inhibit pin is held low, and whenever the output is allowed to rise under soft-start control. Power up under soft-start control occurs upon the removal of the ground signal to the Inhibit pin (with input voltage applied), or when input power is applied with Auto-Track disabled<sup>[1]</sup>. To further ensure that the regulator doesn't sink output current, (even with a ground signal applied to its Inhibit), the input voltage must always be greater than the applied prebias source. This condition must exist throughout the power-up sequence.

The soft-start period is complete when the output begins rising above the prebias voltage. Once it is complete the module functions as normal, and sinks current if a voltage higher than the nominal regulation value is applied to its output.

*Note: If a prebias condition is not present, the soft-start period is complete when the output voltage has risen to either the set-point voltage, or the voltage applied at the module's Track control pin, whichever is lowest.*

**Demonstration Circuit**

Figure 18 shows the startup waveforms for the demonstration circuit shown in Figure 19. The initial rise in  $V_{O2}$  is the prebias voltage, which is passed from the VCCIO to the VCORE voltage rail through the ASIC. Note that the output current from the PTH12010L module ( $I_{O2}$ ) is negligible until its output voltage rises above the applied pre-bias.

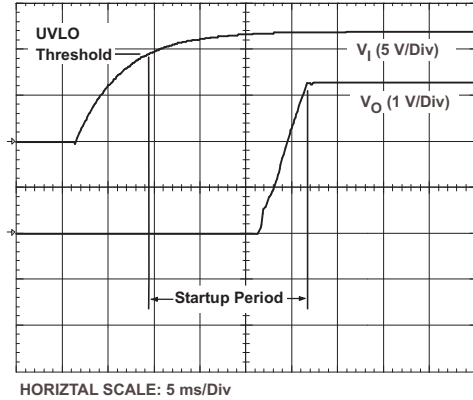


Figure 17. PTH12020W Startup

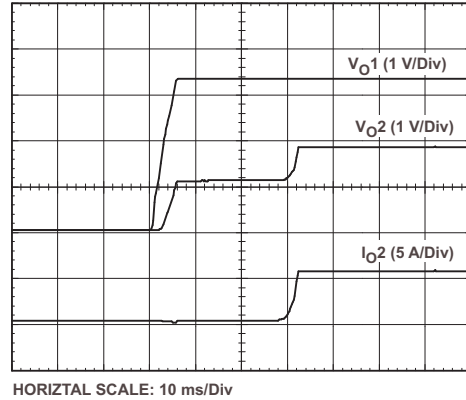


Figure 18. Pre-Bias Startup Waveforms

**Note**

1. The prebias start-up feature is not compatible with Auto-Track. If the rise in the output is limited by the voltage applied to the Track control pin, the output sinks current during the period that the Track control voltage is below that of the back-feeding source. For this reason, it is recommended that Auto-Track be disabled when not being used. This is accomplished by connecting the Track pin to the input voltage,  $V_I$ . This raises the Track pin voltage well above the set-point voltage prior to the module's start up, thereby defeating the Auto-Track feature.

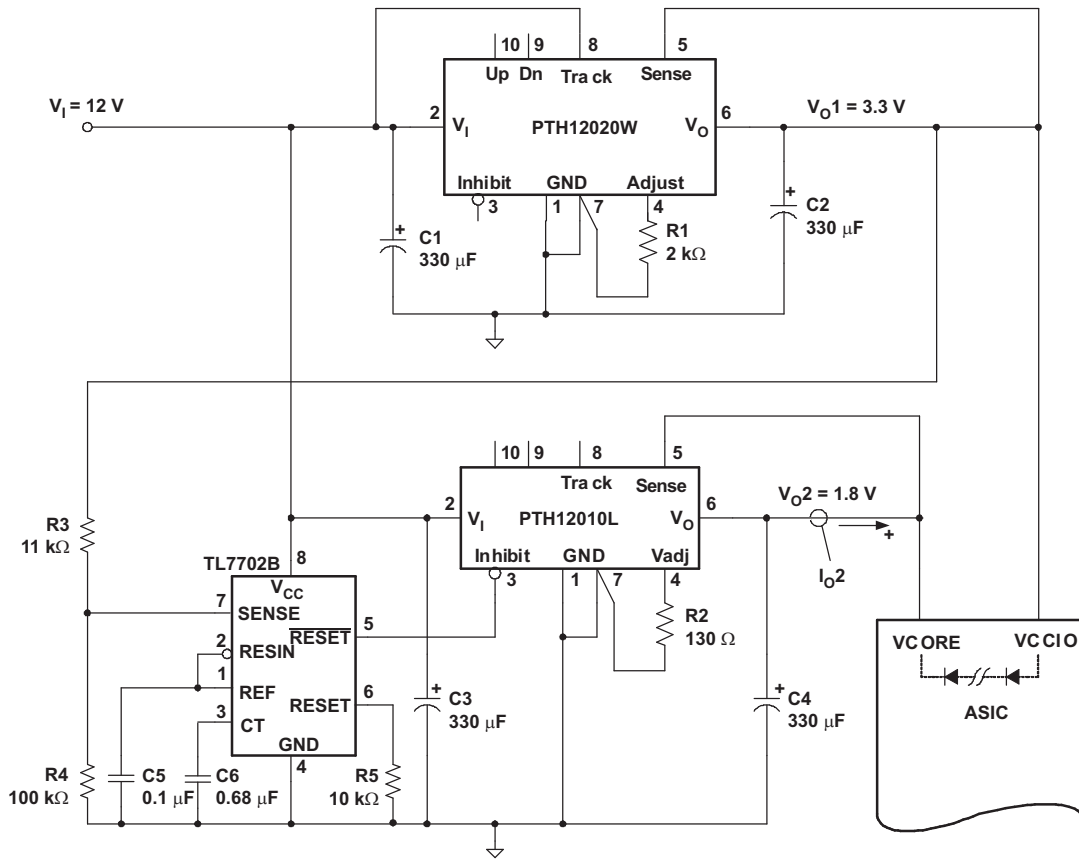


Figure 19. Application Circuit Demonstrating Prebias Startup

**PACKAGING INFORMATION**

Orderable Device	Status <sup>(1)</sup>	Package Type	Package Drawing	Pins	Package Qty	Eco Plan <sup>(2)</sup>	Lead/Ball Finish	MSL Peak Temp <sup>(3)</sup>
PTH12040WAD	ACTIVE	DIP MOD ULE	EVF	20	12	Pb-Free (RoHS)	Call TI	N / A for Pkg Type
PTH12040WAH	ACTIVE	DIP MOD ULE	EVF	20	12	TBD	Call TI	Call TI
PTH12040WAS	ACTIVE	DIP MOD ULE	EVG	20	12	TBD	Call TI	Call TI
PTH12040WAZ	ACTIVE	DIP MOD ULE	EVG	20	12	TBD	Call TI	Call TI

<sup>(1)</sup> The marketing status values are defined as follows:

**ACTIVE:** Product device recommended for new designs.

**LIFEBUY:** TI has announced that the device will be discontinued, and a lifetime-buy period is in effect.

**NRND:** Not recommended for new designs. Device is in production to support existing customers, but TI does not recommend using this part in a new design.

**PREVIEW:** Device has been announced but is not in production. Samples may or may not be available.

**OBSOLETE:** TI has discontinued the production of the device.

<sup>(2)</sup> Eco Plan - The planned eco-friendly classification: Pb-Free (RoHS), Pb-Free (RoHS Exempt), or Green (RoHS & no Sb/Br) - please check <http://www.ti.com/productcontent> for the latest availability information and additional product content details.

**TBD:** The Pb-Free/Green conversion plan has not been defined.

**Pb-Free (RoHS):** TI's terms "Lead-Free" or "Pb-Free" mean semiconductor products that are compatible with the current RoHS requirements for all 6 substances, including the requirement that lead not exceed 0.1% by weight in homogeneous materials. Where designed to be soldered at high temperatures, TI Pb-Free products are suitable for use in specified lead-free processes.

**Pb-Free (RoHS Exempt):** This component has a RoHS exemption for either 1) lead-based flip-chip solder bumps used between the die and package, or 2) lead-based die adhesive used between the die and leadframe. The component is otherwise considered Pb-Free (RoHS compatible) as defined above.

**Green (RoHS & no Sb/Br):** TI defines "Green" to mean Pb-Free (RoHS compatible), and free of Bromine (Br) and Antimony (Sb) based flame retardants (Br or Sb do not exceed 0.1% by weight in homogeneous material)

<sup>(3)</sup> MSL, Peak Temp. -- The Moisture Sensitivity Level rating according to the JEDEC industry standard classifications, and peak solder temperature.

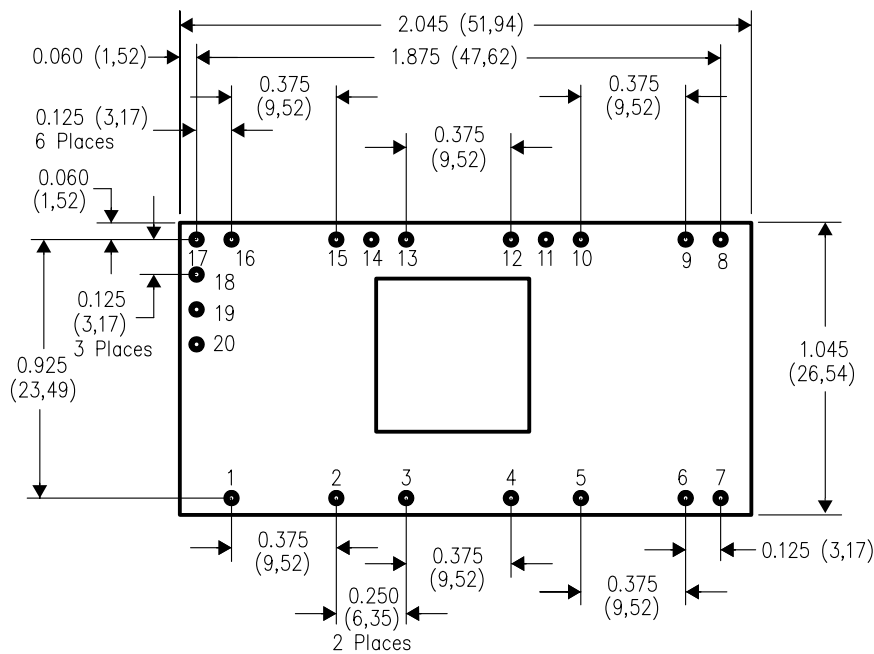
**Important Information and Disclaimer:**The information provided on this page represents TI's knowledge and belief as of the date that it is provided. TI bases its knowledge and belief on information provided by third parties, and makes no representation or warranty as to the accuracy of such information. Efforts are underway to better integrate information from third parties. TI has taken and continues to take reasonable steps to provide representative and accurate information but may not have conducted destructive testing or chemical analysis on incoming materials and chemicals. TI and TI suppliers consider certain information to be proprietary, and thus CAS numbers and other limited information may not be available for release.

In no event shall TI's liability arising out of such information exceed the total purchase price of the TI part(s) at issue in this document sold by TI to Customer on an annual basis.

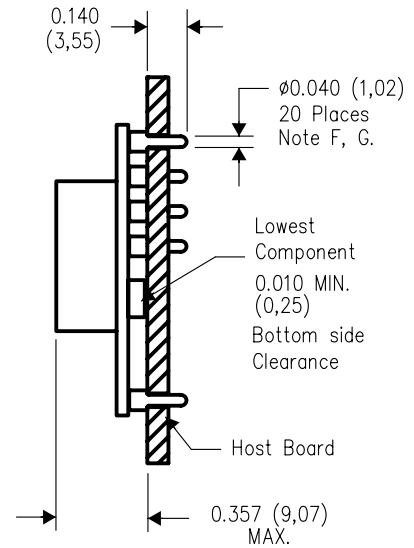


EVF (R-PDSS-T20)

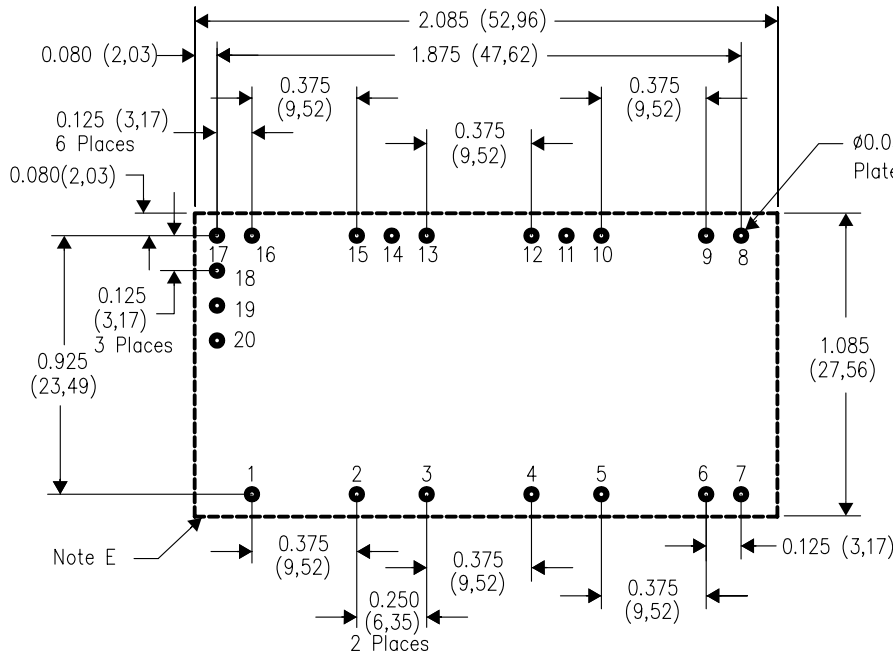
DOUBLE SIDED MODULE



TOP VIEW



SIDE VIEW



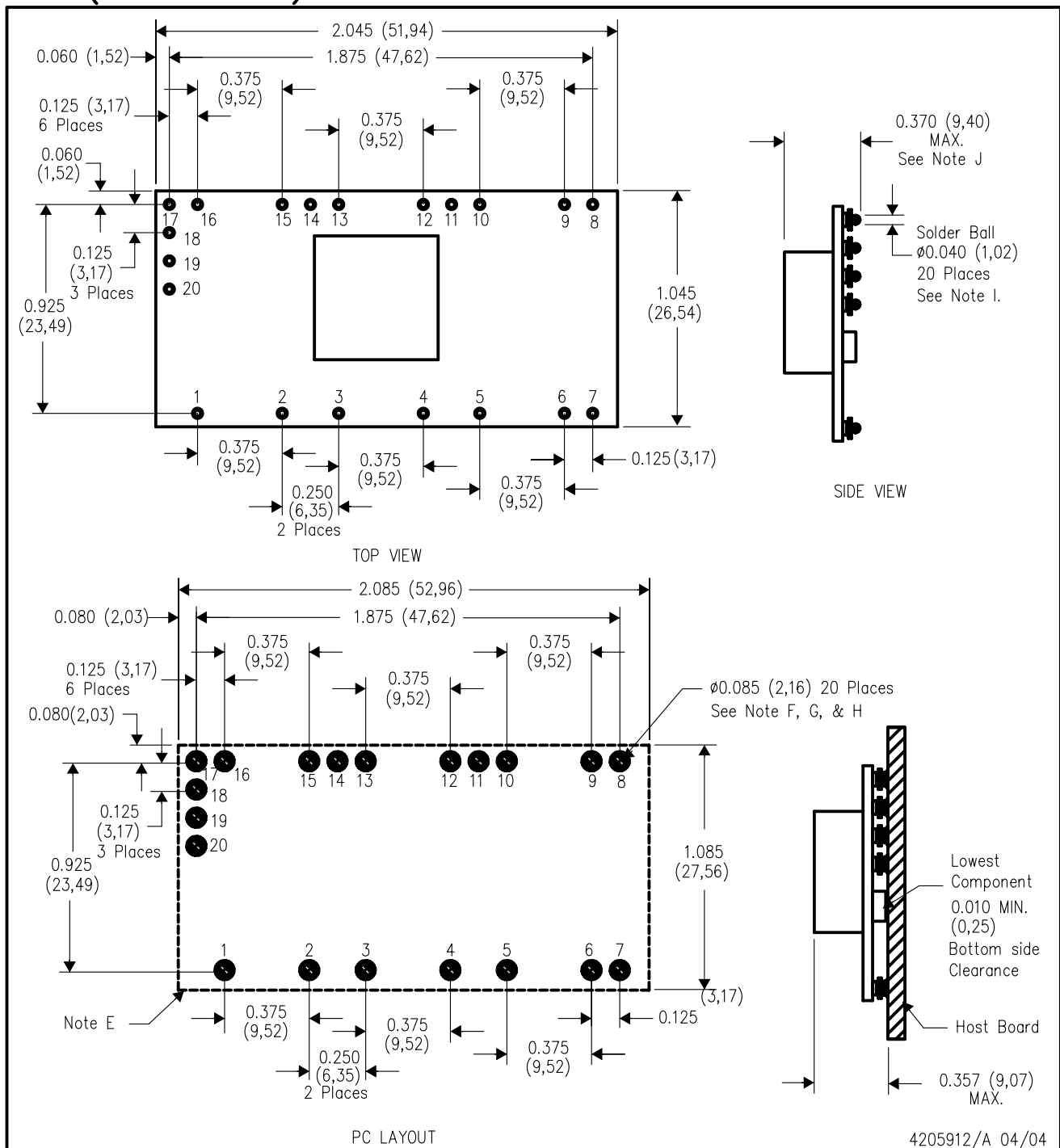
PC LAYOUT

4205911/A 04/04

- NOTES:
- A. All linear dimensions are in inches (mm).
  - B. This drawing is subject to change without notice.
  - C. 2 place decimals are  $\pm 0.030$  ( $\pm 0.76$ mm).
  - D. 3 place decimals are  $\pm 0.010$  ( $\pm 0.25$ mm).
  - E. Recommended keep out area for user components.
  - F. Pins are 0.040" (1,02) diameter with 0.070" (1,78) diameter standoff shoulder.
  - G. All pins: Material - Copper Alloy  
Finish - Tin (100%) over Nickel plate

EVG (R-PDSS-T20)

DOUBLE SIDED MODULE



- NOTES:
- A. All linear dimensions are in inches (mm).
  - B. This drawing is subject to change without notice.
  - C. 2 place decimals are  $\pm 0.030$  ( $\pm 0,76$ mm).
  - D. 3 place decimals are  $\pm 0.010$  ( $\pm 0,25$ mm).
  - E. Recommended keep out area for user components.
  - F. Power pin connection should utilize four or more vias to the interior power plane of 0.025 (0,63) I.D. per input, ground and output pin (or the electrical equivalent).

- G. Paste screen opening: 0.080 (2,03) to 0.085 (2,16).  
Paste screen thickness: 0.006 (0,15).
- H. Pad type: Solder mask defined.
- I. All pins: Material – Copper Alloy  
Finish – Tin (100%) over Nickel plate  
Solder Ball – See product data sheet.
- J. Dimension prior to reflow solder.

## IMPORTANT NOTICE

Texas Instruments Incorporated and its subsidiaries (TI) reserve the right to make corrections, modifications, enhancements, improvements, and other changes to its products and services at any time and to discontinue any product or service without notice. Customers should obtain the latest relevant information before placing orders and should verify that such information is current and complete. All products are sold subject to TI's terms and conditions of sale supplied at the time of order acknowledgment.

TI warrants performance of its hardware products to the specifications applicable at the time of sale in accordance with TI's standard warranty. Testing and other quality control techniques are used to the extent TI deems necessary to support this warranty. Except where mandated by government requirements, testing of all parameters of each product is not necessarily performed.

TI assumes no liability for applications assistance or customer product design. Customers are responsible for their products and applications using TI components. To minimize the risks associated with customer products and applications, customers should provide adequate design and operating safeguards.

TI does not warrant or represent that any license, either express or implied, is granted under any TI patent right, copyright, mask work right, or other TI intellectual property right relating to any combination, machine, or process in which TI products or services are used. Information published by TI regarding third-party products or services does not constitute a license from TI to use such products or services or a warranty or endorsement thereof. Use of such information may require a license from a third party under the patents or other intellectual property of the third party, or a license from TI under the patents or other intellectual property of TI.

Reproduction of TI information in TI data books or data sheets is permissible only if reproduction is without alteration and is accompanied by all associated warranties, conditions, limitations, and notices. Reproduction of this information with alteration is an unfair and deceptive business practice. TI is not responsible or liable for such altered documentation. Information of third parties may be subject to additional restrictions.

Resale of TI products or services with statements different from or beyond the parameters stated by TI for that product or service voids all express and any implied warranties for the associated TI product or service and is an unfair and deceptive business practice. TI is not responsible or liable for any such statements.

TI products are not authorized for use in safety-critical applications (such as life support) where a failure of the TI product would reasonably be expected to cause severe personal injury or death, unless officers of the parties have executed an agreement specifically governing such use. Buyers represent that they have all necessary expertise in the safety and regulatory ramifications of their applications, and acknowledge and agree that they are solely responsible for all legal, regulatory and safety-related requirements concerning their products and any use of TI products in such safety-critical applications, notwithstanding any applications-related information or support that may be provided by TI. Further, Buyers must fully indemnify TI and its representatives against any damages arising out of the use of TI products in such safety-critical applications.

TI products are neither designed nor intended for use in military/aerospace applications or environments unless the TI products are specifically designated by TI as military-grade or "enhanced plastic." Only products designated by TI as military-grade meet military specifications. Buyers acknowledge and agree that any such use of TI products which TI has not designated as military-grade is solely at the Buyer's risk, and that they are solely responsible for compliance with all legal and regulatory requirements in connection with such use.

TI products are neither designed nor intended for use in automotive applications or environments unless the specific TI products are designated by TI as compliant with ISO/TS 16949 requirements. Buyers acknowledge and agree that, if they use any non-designated products in automotive applications, TI will not be responsible for any failure to meet such requirements.

Following are URLs where you can obtain information on other Texas Instruments products and application solutions:

<b>Products</b>		<b>Applications</b>	
Amplifiers	<a href="http://amplifier.ti.com">amplifier.ti.com</a>	Audio	<a href="http://www.ti.com/audio">www.ti.com/audio</a>
Data Converters	<a href="http://dataconverter.ti.com">dataconverter.ti.com</a>	Automotive	<a href="http://www.ti.com/automotive">www.ti.com/automotive</a>
DSP	<a href="http://dsp.ti.com">dsp.ti.com</a>	Broadband	<a href="http://www.ti.com/broadband">www.ti.com/broadband</a>
Interface	<a href="http://interface.ti.com">interface.ti.com</a>	Digital Control	<a href="http://www.ti.com/digitalcontrol">www.ti.com/digitalcontrol</a>
Logic	<a href="http://logic.ti.com">logic.ti.com</a>	Military	<a href="http://www.ti.com/military">www.ti.com/military</a>
Power Mgmt	<a href="http://power.ti.com">power.ti.com</a>	Optical Networking	<a href="http://www.ti.com/opticalnetwork">www.ti.com/opticalnetwork</a>
Microcontrollers	<a href="http://microcontroller.ti.com">microcontroller.ti.com</a>	Security	<a href="http://www.ti.com/security">www.ti.com/security</a>
RFID	<a href="http://www.ti-rfid.com">www.ti-rfid.com</a>	Telephony	<a href="http://www.ti.com/telephony">www.ti.com/telephony</a>
Low Power Wireless	<a href="http://www.ti.com/lpw">www.ti.com/lpw</a>	Video & Imaging	<a href="http://www.ti.com/video">www.ti.com/video</a>
		Wireless	<a href="http://www.ti.com/wireless">www.ti.com/wireless</a>

Mailing Address: Texas Instruments, Post Office Box 655303, Dallas, Texas 75265  
Copyright © 2007, Texas Instruments Incorporated